

# DRILL CHUCKS

EDITION 8.1

**RÖHM**  
driven by technology





## MAXIMUM USER-FRIENDLINESS

The EXTRA-RV drill chucks impress with their user-friendliness. The drill chuck is tightened and locked with a single manual operation. The radial locking device prevents the unintentional release of the drill bit during clockwise and counterclockwise rotation and makes percussion drilling possible. Thus, these quick-action drill chucks are predestined for use on hand-operated drills.



Video drill chuck

# QUICK-ACTION DRILL CHUCKS

Due to the weight-reduced design as well as the easy handling, the RÖHM EXTRA-RV drill chucks are optimally suited for use on hand-operated drills. In addition, the drill chucks are impact-resistant and can therefore be used universally.

## ADVANTAGES AT A GLANCE

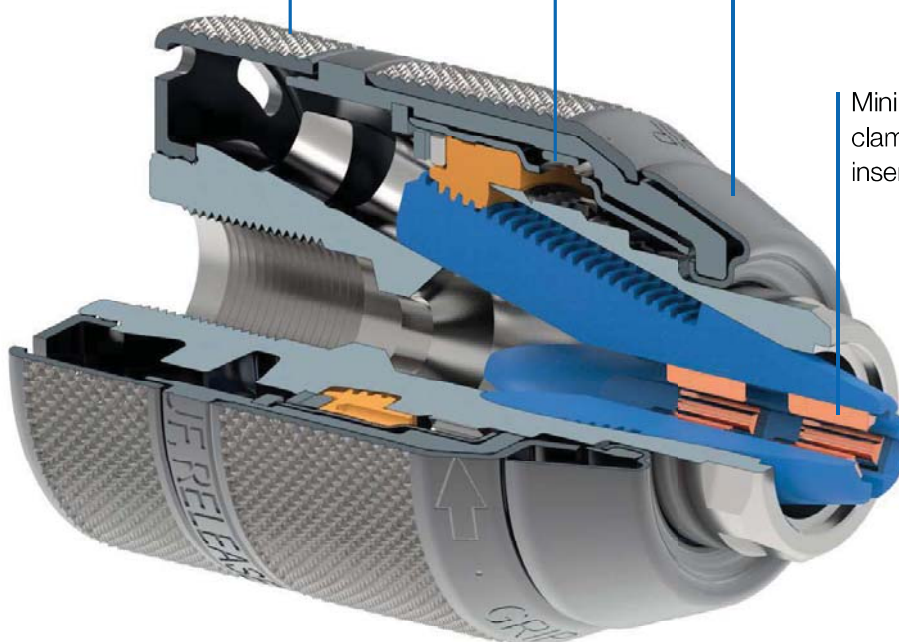
- ⊕ Easy clamping and locking with one hand operation for maximum user-friendliness
- ⊕ Radial locking device to prevent release of the drill bit during clockwise and counterclockwise rotation
- ⊕ Impact-resistant for universal use

Compact and weight-reduced design for optimal use on hand-operated drills

Radial locking device to prevent unintentional release of the drill bit during clockwise and counterclockwise rotation

Freely rotating protection disc to prevent damage

Minimal wear through clamping jaws with carbide inserts



## EXTRA50-RV



## APPLICATION

Drill chuck specially designed for cordless drills with spindle stop up to a maximum torque of 80 Nm.

## TYPE

Impact-resistant quick-action drill chuck with radial locking and metal sleeve. With through-hole for use of a locking screw.

## CUSTOMER BENEFITS

- ③ Very compact design reducing the top-heaviness of the entire cordless drill
- ③ Easy clamping and locking with one manual operation offering maximum user-friendliness
- ③ Radial locking device to prevent inadvertent release of the drill bit during clockwise and counterclockwise rotation. Impact resistant.

## TECHNICAL FEATURES

- With carbide inserts in the clamping jaws
- Equipped with collision protector by freely rotating protection disc



A01

EXTRA50-RV with radial locking, metal design



Item no.	Size	Clamping capacity mm	Mount	Retaining ring	Design	Concentricity deviation max. mm	External Ø mm	Length opened mm	Length closed mm	Max. torque Nm	Through-hole
1322450	13	1,5-13	9/16-18"		<b>Metal</b>	0,4	42,4	51	60,9	80	•
1322451	13	1,5-13	1/2"-20		<b>Metal</b>	0,4	42,4	51	60,9	80	•

Note: locking screw is not included in scope of delivery

## EXTRA80-RV



## APPLICATION

For corded and cordless drills with and without spindle stop up to a maximum torque of 100 Nm and up to 1500 watt.

## TYPE

Impact-resistant quick-action drill chuck with radial locking and plastic or metal sleeve.

Optional with retaining ring for machines without spindle stop.  
With through-hole for use of a locking screw.

## CUSTOMER BENEFITS

- ☑ Easy clamping and locking with one manual operation for maximum user-friendliness
- ☑ Radial locking device to prevent release of the drill bit during clockwise and counterclockwise rotation
- ☑ Impact-resistant for universal use

## TECHNICAL FEATURES

- With carbide inserts in the clamping jaws
- Equipped with collision protector by freely rotating protection disc



A01

## EXTRA80-RV with radial locking, metal design



Item no.	Size	Clamping capacity mm	Mount	Retaining ring	Design	Concentricity deviation max. mm	External Ø mm	Length opened mm	Length closed mm	Max. mach. capacity watt	Through-hole
1328321	10	1-10	3/8"-24		metal	0,4	42,7	55	60,9	550	•
1328318	10	1-10	1/2"-20		metal	0,4	42,7	55	60,9	550	•
1328317	10	1-10	1/2"-20	•	metal	0,4	42,7	55	60,9	550	•
1328314	13	1,5-13	3/8"-24	•	metal	0,4	42,7	64,5	72,4	1500	•
1328311	13	1,5-13	1/2"-20		metal	0,4	42,7	64,5	72,4	1500	•
1328310	13	1,5-13	1/2"-20	•	metal	0,4	42,7	64,5	72,4	1500	•
1339960	13	1,5-13	9/16"-18		metal	0,4	42,7	64,5	72,4	1500	•

Note: locking screw is not included in scope of delivery

A01

## EXTRA80-RV with radial locking, plastic design



Item no.	Size	Clamping capacity mm	Mount	Retaining ring	Design	Concentricity deviation max. mm	External Ø mm	Length opened mm	Length closed mm	Max. mach. capacity watt	Through-hole
1328323	10	1-10	3/8"-24		plastic	0,4	42,7	55	60,9	550	•
1328322	10	1-10	3/8"-24	•	plastic	0,4	42,7	55	60,9	550	•
1328320	10	1-10	1/2"-20		plastic	0,4	42,7	55	60,9	550	•
1328319	10	1-10	1/2"-20	•	plastic	0,4	42,7	55	60,9	550	•
1328316	13	1,5-13	3/8"-24		plastic	0,4	42,7	64,5	72,4	1300	•
1328315	13	1,5-13	3/8"-24	•	plastic	0,4	42,7	64,5	72,4	1300	•
1328313	13	1,5-13	1/2"-20		plastic	0,4	42,7	64,5	72,4	1300	•
1328312	13	1,5-13	1/2"-20	•	plastic	0,4	42,7	64,5	72,4	1300	•

Note: locking screw is not included in scope of delivery

# EXTRA80-RV

A01  
EXTRA80-RV with SDS plus mounting shank and radial locking, metal design



Item no.	Size	Clamping capacity mm	Mount	Retaining ring	Design	External Ø mm	Length opened without SDS-shank mm	Length closed without SDS-shank mm
1288566	13	1,5-13	1/2"-20 / SDS plus	•	metal	42,7	64,5	72,4

Use only with deactivated percussion function



A01  
EXTRA80-RV for impact screwdriver mounting 1/4" Hex, plastic design, specially suited for impact screwdrivers (eccentricity)



Item no.	Size	Clamping capacity mm	Mount	Retaining ring	Design	External Ø mm	Length opened without SDS-shank mm	Length closed without SDS-shank mm
1178269	10	1-10	1/4"-Hex	•	plastic	42,7	55	63,1

